

FISCHBEIN®

Model DRC 300™

Double Roll Closer System

Fischbein Model DRC 300™

The Fischbein Model DRC 300™ Double Roll Closer seals multi-wall, flush-cut paper bags weighing up to 50 pounds at production rates up to 75 linear feet per minute. The Model DRC 300™ automatically trims the top of the bag, makes a single precise fold, applies hot melt adhesive, and then makes a final second fold. The patented breakaway design eliminates costly downtime caused by bag jams while allowing easy cleaning and service of the bag folder.

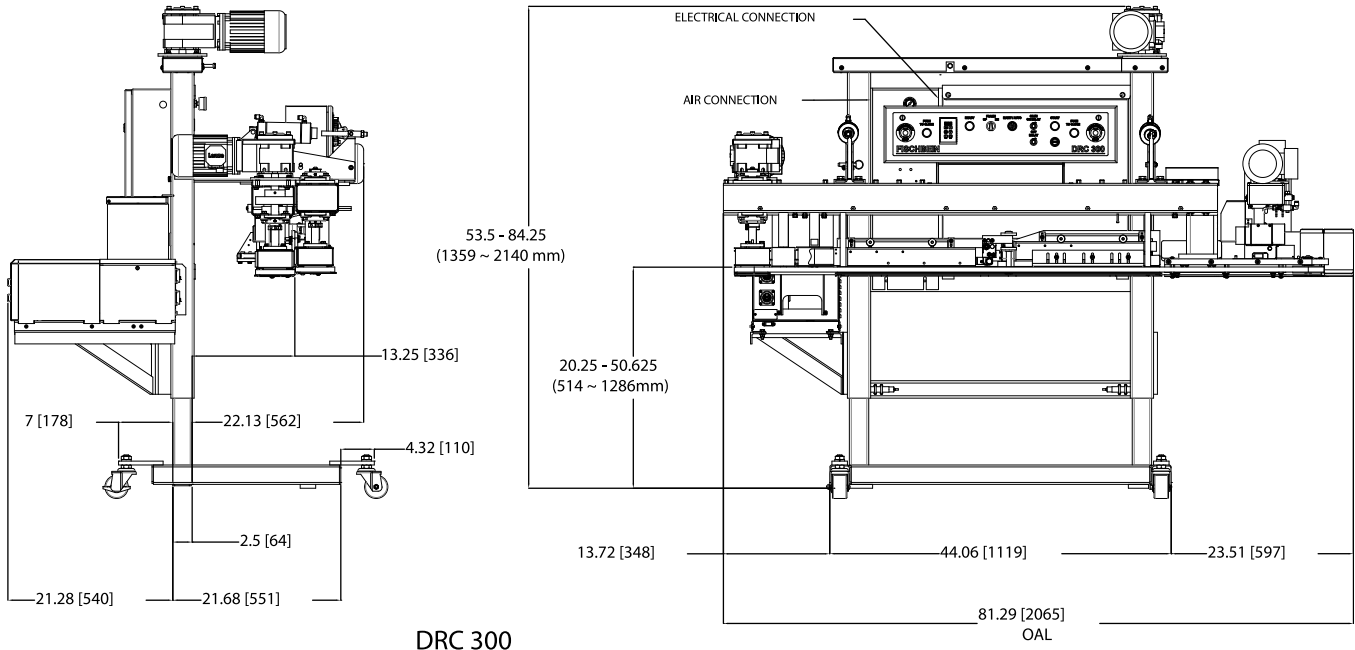


EVERYTHING IN BAGGING EQUIPMENT™



Fischbein® Model DRC 300™

Double Roll Closer System



DRC 300

FEATURES

BAG TYPES

Closes multi-wall paper bags.

SPIRAL GLIDE FOLDER TECHNOLOGY

Spiral glide folder technology creates bag closures that are consistent, reliable and attractive.

LOW MAINTENANCE

The patented breakaway design eliminates costly downtime caused by bag jams, while allowing easy cleaning and service of the bag folder.

USER FRIENDLY CONTROLS

Safe and easy to use control panel with digital temperature control and display key pad for variable speed control, and dual emergency stop buttons.

RIGHT TO LEFT OPERATION

DYNATECH HOT MELT ADHESIVE APPLICATOR

DUAL KNIFE BAG TOP TRIMMER

OPTIONS

- Additional motor starter and contactor for conveyor
- CR Plus 2 part corrosion resistant powder coat finish
- Nordson brand hot melt application system
- Wide fold for larger bags - Model 300 Plus
- Left to right operation
- 460 and 575 VAC

SPECIFICATIONS

- Dimensions: W 82 in (208 cm), D 46 in (117 cm), H 54-85 in (137-216 cm)
- Speed: Up to 75 linear feet per minute
- Electric (NEMA 12): 230V-3PH-50/60Hz, 24 VAC
- Air: 8 cfm @ 80-100 PSI

BAGS

- Bag Types: Open mouth flat or gusseted multi-wall paper bags
- Bag Face Width: Minimum 5 in (12.7 cm)
- Free Bag Top: Minimum 6 in (15.2 cm) - standard fold
Minimum 7.5 in (19 cm) - wide fold

APPLICATIONS

- Fertilizers
- Pet Food
- Powdered Dairy Products
- Minerals
- Feed Additives
- Snack Foods
- Chemicals
- Agricultural Seed
- Cat Litter
- Bakery Mixes

704-871-1159

**HAMER
FISCHBEIN®**

A DURAVANT COMPANY



Specifications are subject to change without notice.